

Mantel Hood

Features and Benefits

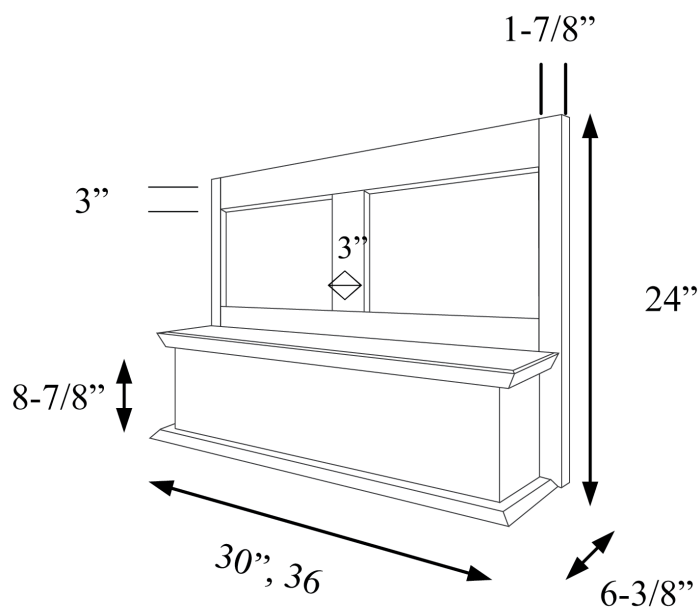
- 30" and 36" widths, 24" tall
- Available in Maple, Cherry, Red Oak and Alder
- 5 day lead time
- Optional Doors
- **Frame: 441 Panel: Cove on all Panels**
- Silver metallic painted liners and cost effective blowers. 250-390 CFM
- No Modifications



VM - Value Mantel



VMRA - Value Mantel Arched



VALUE LINE - Mantel Hoods

STANISCI DESIGN



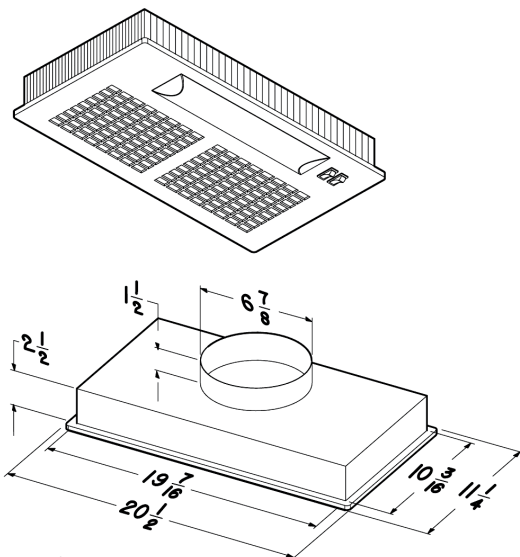
Mantel Door Options

- All 441 / Cove
- Sold in set of 2

Item

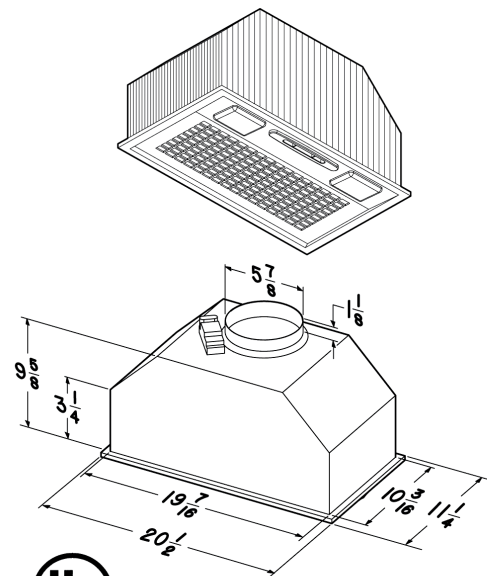
VMD - 3024
VMD - 3624

BR250



- 250 CFM / 8 sones
- Silver Metallic Finish
- 2 - 40 Watt bulbs (bulbs not included)
- Two speed motor rocker switch
- Includes T Shaped liner to fit Value Line Mantel Hood

BR390



- 390 CFM / 6 sones
- Silver Metallic Finish
- 2 - 40 Watt bulbs (bulbs not included)
- Three speed motor slide switch
- Includes back draft damper
- Includes T Shaped liner to fit Value Line Mantel Hood

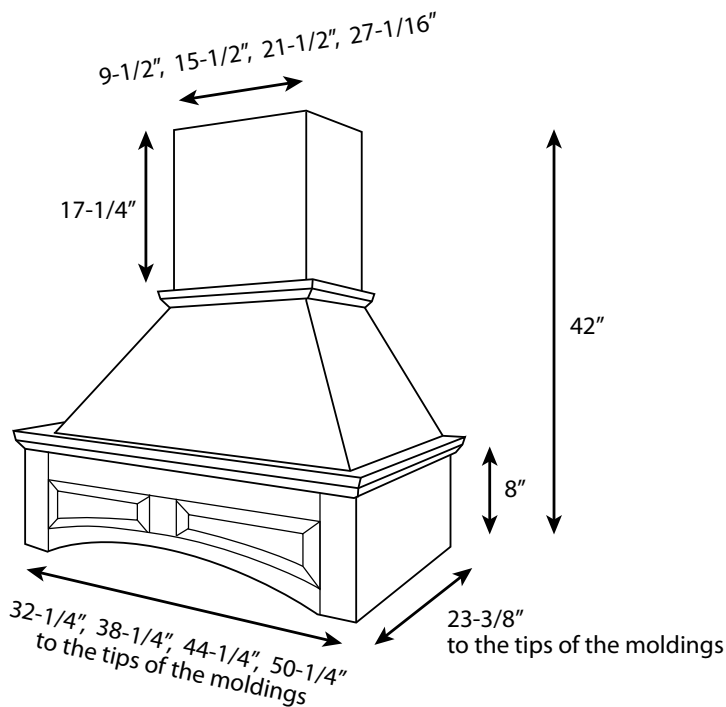
Chimney Hood

Features and Benefits:

- 30" through 48" wide
- 42" tall – upper section is trim-able
- Cherry, Maple, Red Oak and Alder
- 5 day lead time
- Ventilation from 270 to 1500 CFM
- **Frame: 441 Panel: Cove on VRachim**
- Reusable shipping container
- NO MODIFICATIONS



Standard Base
Vchim



Arched Base
VRachim

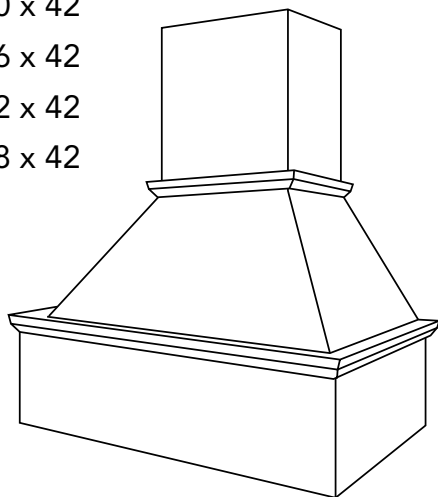
**Please check your local building code before placing an order. Range Hoods and Liner ventilators are subject to local building codes. It is your responsibility to ensure Stanisci Design Wood Range Hoods and liner/ventilators meet your local building code and/or the appliance manufacturers specifications.

VALUE LINE - Chimney Hoods

STANISCI
DESIGN

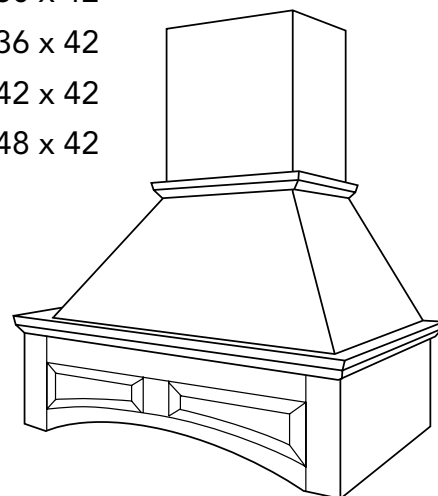
Vchim - Standard Base

- Vchim 30 x 42
- Vchim 36 x 42
- Vchim 42 x 42
- Vchim 48 x 42



VRachim - Arched Base

- VRachim 30 x 42
- VRachim 36 x 42
- VRachim 42 x 42
- VRachim 48 x 42



Available Ventilation Options



Mesh Liner-600 CFM-1500 CFM



Value Liner – 270 CFM for 30”
350 all others